



CT 705EL - Eco Flushometer Toilet - ADA Compliant
SC534 - Commercial Toilet Seat
TET1LN32#CP - 1.28GPF ECO EFV - Automatic Flushometer Valve

- 18" high bowl
- Low consumption 1.28 gallon flush
- Elongated front, siphon jet flush action
- Powerful and quiet flush

■ **CT705EL (17-1/2" rim height)**
Vitreous china low consumption elongated front rim, siphon jet flush action, floor mounted toilet, complete. Includes 1 1/2" top spud and 2 bolt caps, less seat. ADA compliant.
10"-12" rough-in.

□ **SS114**
SoftClose: Seat and lid gently close with a touch of a hand. Elongated, closed front seat with lid.

□ **SC134**
Elongated, open front seat with cover.

□ **SC534**
Elongated, open front seat less cover.

Colors:

Standard #01 Cotton

Optional See price book for additional colors

*Recommended flushometer valve:
TOTO Manual and Electronic Flush Valves are highly recommended for maximum performance.*



CT 705EL Flushometer Toilet, (ADA Compliant)

■ PERFORMANCE

The TOTO 1.28 Gpf ADA eco flushometer toilet received high ratings during ANSI/ASME testing at independent test laboratories. Designed with a powerful siphon jet flushing action, the bowl offers a large 12" x 10" water surface.

■ SPECIFICATIONS

Water Use: 1.28 Gpf/4.8 Lpf
 Flush System: Siphon jet flushing action
 Min. Water Pressure: 35 psi static
 Water Surface: 10-1/4" x 9-1/4"
 Trap Diameter: 1-7/8"
 Rough-in: 10"– 12" rough-in
 Trap Seal: 2-3/8"
 Warranty: One Year Limited Warranty
 Material: Vitreous china one piece design

Shipping Weight: **CT705EL–Bowl**
 57 lbs.

Shipping Dimensions: **CT705EL–Bowl**
 26"L x 9-7/8"W¹ x 15-3/4"W²
 x 20-1/4"H

Fixture dimensions and hydraulic performance meet or exceed ANSI/ASME standard A112.19.2 and CAN/CSA B 45 requirements.

Meets and exceeds ASME A112.19.2 standards for drainline carry distance with a 2% grade and 4" I.D. pipe.

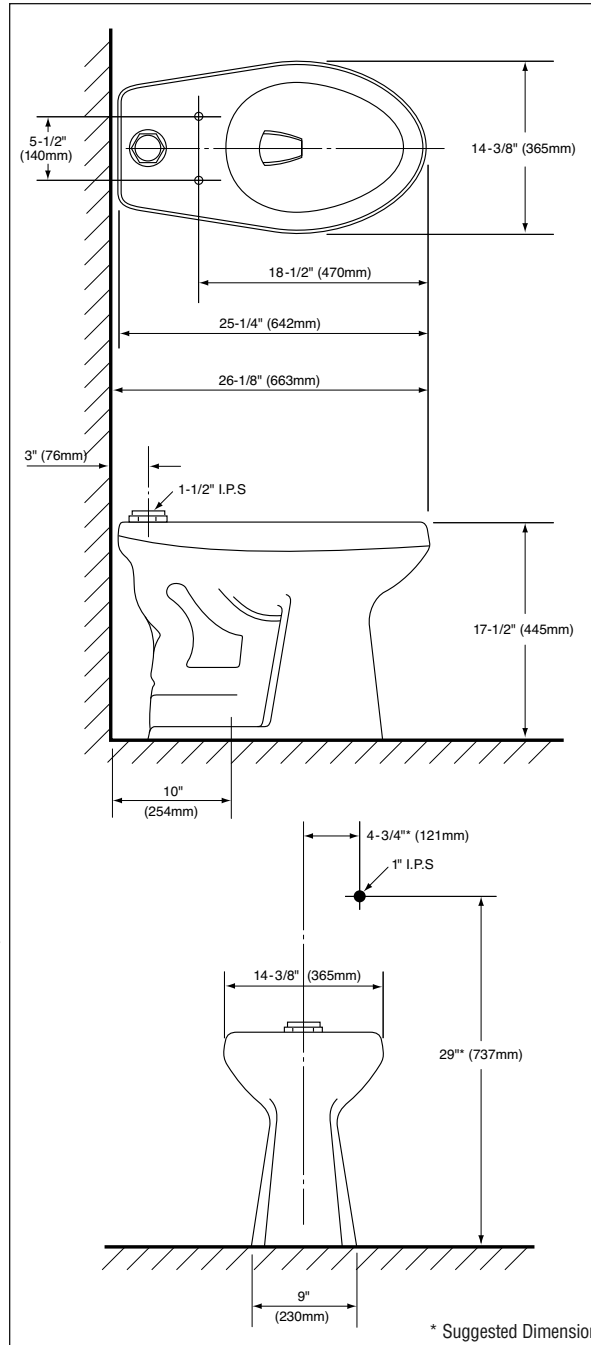
Listing / Approvals: IAPMO/c-UPC, CSA, City of Los Angeles, State of Massachusetts, and others.



Meets the American Disabilities Act Guidelines and ANSI A117.1 requirements where installed so top of seat is 17" from the finished floor. Recommended seat for ADA requirements: TOTO model #SC134 and #SC534.

Note: Refer to manufacturer's instructions and local codes for proper flush valve installation and requirements.

These dimensions and specifications are subject to change without notice.



CT 705EL

TOTO[®]