

Capri AutoFaucet®

with Surround Sensor™ Technology



Case Pack: 1 Case Weight: 7 lbs. Case Cube: 2.6

Automatic Faucet System

- **Delivering Cost-Effective Customer Delight...** provides the user water ONLY when needed, resulting in reduced water usage up to 70% and associated costs — win-win solution.
- **World-Class Reliability...** breakthrough “surround sensor” technology (no infrared) senses user from any angle, patented “dry” cam-gear technology controls water flow and eliminates sticking solenoid valves that cause dripping — trouble-free operation.
- **Ease of Installation...** all mechanical and electrical components are contained in one covered housing for easy installation — customer convenience maximized.
- **Radius™ Touch-Free Technology...** systems won't corrode or fail because our proprietary “dry” cam-gear design keeps all electronics away from water flow. Technical Concepts' exclusive technologies enable our systems to be the most accurate on the market delivering error-free, precise performance and are sophisticated enough to compensate for users and the environment.

Description:	Kit	Single Hole Mount	4" Center Set	8" Center Set
Polished Chrome	2	750084	750085	750086
Polished Chrome	3	500556	500576	500577
Polished Chrome	4	500651	500652	500653

Kit 2 Includes: Spout, valve control module and main supply hose (1/2" pipe x 3/8" comp. x 12" legnth)

Kit 3 Includes: Spout, valve control module, mixing valve and hot cold supply hoses and main supply hose (3/8" comp x 3/8" comp. x 12" legnth)

Kit 4 Includes: Spout, valve control module, thermostatic mixing valve and hot cold supply hoses and main supply hose (3/8" comp x 3/8" comp. x 12" legnth)

Optional Accessories:

- 402188 Thermostatic Mixing Valve
- 490137 Extension hose for lowering Valve Control Module

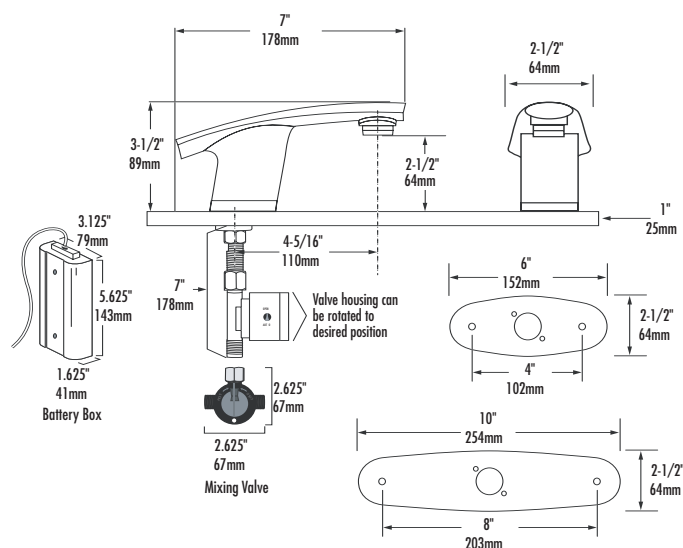
*IAMPO UPC/cUPC approved 0.5 GPM version available. Contact your Technical Concepts Sales Rep or local distributor.

Specifications

Auto/Open Valve Dial:	AUTO - enables automatic operation of valve. OPEN - maintains open valve position for sanitary flushing. To reactivate automatic operation, turn dial to auto position and then place hand under faucet and remove.
Battery Power:	4D cell Alkaline (up to 3+ years life cycle)
Mounting Hole:	7/8" to 1 1/8"
Operating Water Pressure:	7-150 psi
Operating Temperature:	35°F to 159°F (2°C to 70°C)
Max Running Time:	15 Seconds

Operations

- 1) “Surround Sensors” continuously scan the 3” detection zone around the spout.
- 2) When the user's hands come into range of the sensor's detection zone, the valve is activated.
- 3) After the user removes their hands, the valve closes. The circuit automatically resets for the next user.
- 4) Sensors will only detect animate objects.



technical concepts

Innovative Hygiene Solutions